
DTL Friction welded bimetallic cable lug , CU AL transition crimped cable connector



Overview

Quick Details

Model Number: DTL-1 series

Type: lug terminals

Place of Origin: Zhejiang, China

Packaging: White inner box + export carton box

Description: Copper Connecting Terminals

Production Name: DTL-1

Material: Copper Palm 99.95% Cu /Aluminium Sleeve 99.5% Alu

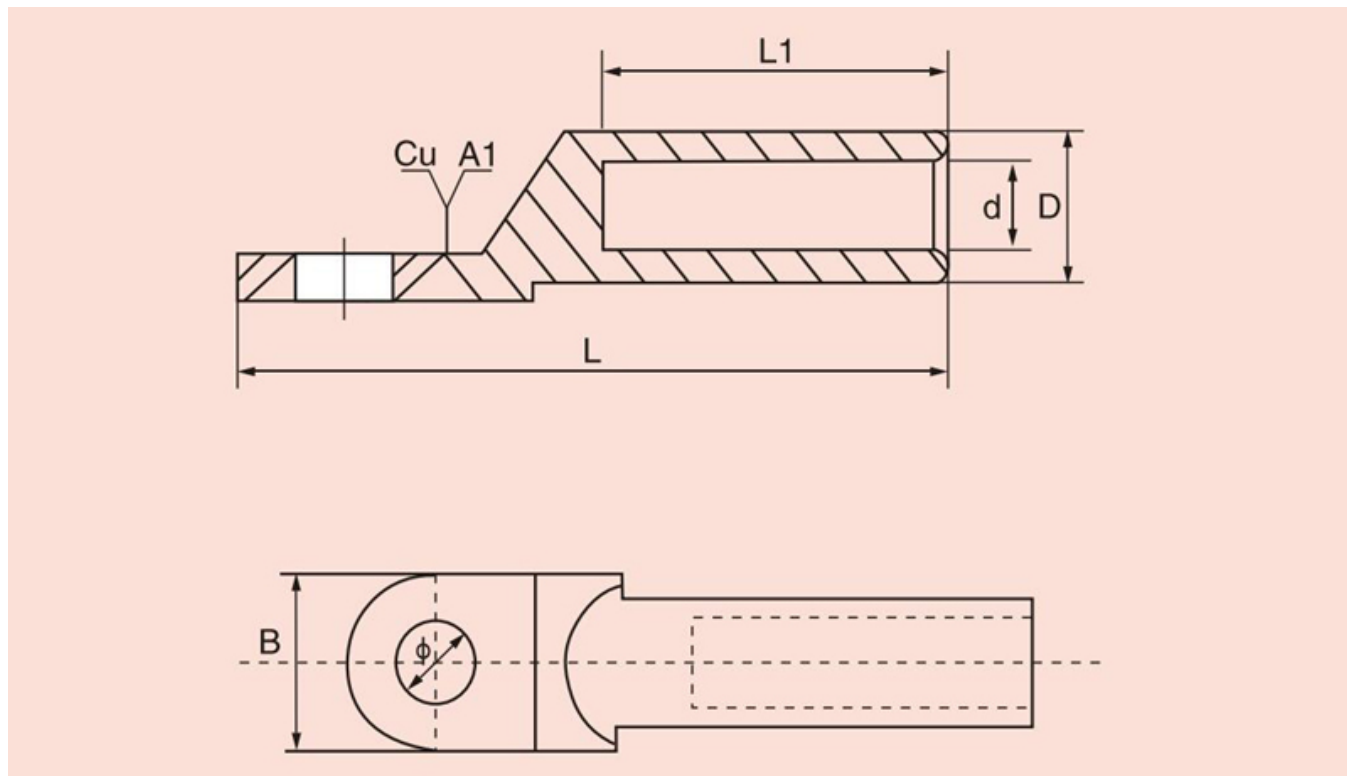
Surface treatment: Tin plated

Length(mm): 68-270

Joining Method: Friction Welding

Application: 1kV-33kV medium and high voltage cable connections and terminals

Standard: IEC61238,AS4325,UNI EN 573-3 : 2009,UNI EN 13600:2003



Model	Φ	D	d	L	L1	B
DTL-1-10	8.5	10	6	68	28	16
DTL-1-16	8.5	11	6	70	30	16
DTL-1-25	8.5	12	7	75	34	18
DTL-1-35	10.5	14	8.5	85	38	20.5
DTL-1-50	10.5	16	9.8	90	40	23
DTL-1-70	12.5	18	11.5	102	48	26
DTL-1-95	12.5	21	13.5	112	50	28
DTL-1-120	14.5	23	15	120	53	30
DTL-1-150	14.5	25	16.5	126	56	34
DTL-1-185	16.5	27	18.5	133	58	37
DTL-1-240	16.5	30	21	140	60	40
DTL-1-300	21	34	23.5	160	65	50
DTL-1-400	21	38	27	170	70	50
DTL-1-500	21	47	29	225	75	60
DTL-1-630		54	35	245	80	80
DTL-1-800		60	38	270	90	100

Specification

Material: Copper and Aluminium

Type: Lug, terminal, wire terminal

Certificate: ISO9000:2008

1.DTL-1 series of copper aluminum wiring terminals are suitable for transition connection of the circular aluminium

wires, hemicycle-sector aluminium wires, power supply cables in the distribution equipment and copper terminals of electrical equipment.

2.The material of aluminium and copper is that of L3 and T2 respectively.

3.The technology of friction welding is wonderfully adopted.They have distinguishing features of strong weld

intensity,good nature in electrification,resistant galvanic corrosion and long service life.



CONTACT WITH US:

E-mail: Chinaleqi@vip.163.com

Skype: [sam.gaokun](https://www.skype.com/user/sam.gaokun)

WhatsApp: [0086-15825442098](https://www.whatsapp.com/business/profile/0086-15825442098)

Mobile number: [0086-15825442098](tel:0086-15825442098)

Wechat: [0086-15825442098](https://www.wechat.com/business/profile/0086-15825442098)



Product

link :

<https://www.leqielectric.com/dtl-friction-welded-bimetallic-cable-lug-cu-al-transition-crimped-cable-connector-product/>